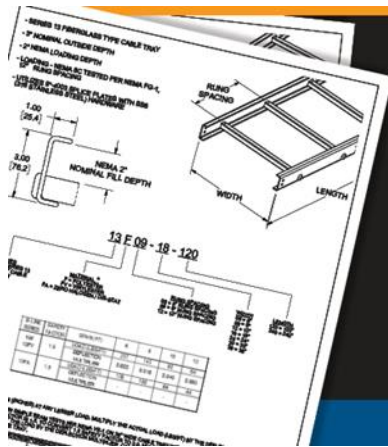


# \*\*\*ATTENTION FROM EATON B-LINE\*\*\*



**New**  
**Submittal**  
**builder tool**  
**Available now!**

**B-Line**  
by **EATON**

We are very excited to announce that B-Line Submittal Builder Tool is now available for everyone to use. Please take a look at the instructions below and feel free to give us a shout with any questions!

- Team InVictus

## Submittal builder instructions

CLICK BELOW FOR THE LINK TO SUBMITTAL BUILDER TOOL!

<https://www.eaton.com/us/en-us/products/support-systems/submittal-builder.html>

The initial screen will show 0 results. Follow the instructions below to filter and download submittals.

1. Use filters to left to select available submittals (Note: click "view more" to see additional filters within filter groups)
2. Use the < > buttons to scroll left and right to view all column / row information
3. Click "load more" button to view more options
4. Green "+" to add / red "x" to remove submittals
5. To preview or rearrange submittals, click "View Submittal Package"
6. Use up and down arrows to drag and drop submittals to rearrange order
7. Click "All Results" to exit preview or to add more submittal options
8. To download, click "Download Package"
9. Select email or download to access package

Downloads will include all requested items in a concatenated PDF document. Email includes a link to download package within 24 hours.

For 2D or 3D CAD and other software options, visit the B-Line series [CoSPEC specifier tool](#).

[www.myinvictussales.com](http://www.myinvictussales.com)